

sensors

rotativ  
linear

motion

systems

controls

# VPC219 industrial PC

Touch screen and  
support arm mountable



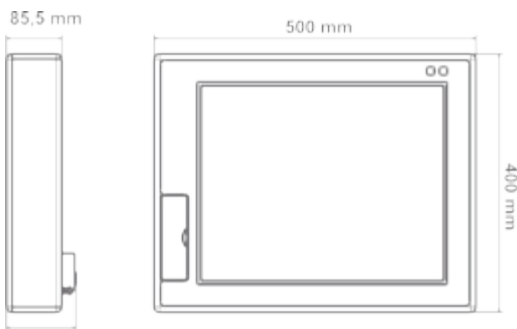
# The VPC219

## Technical data and advantages

The VPC219 is a compact industrial PC, which combines robustness and a high grade of flexibility. The industrial PC is equipped with all standard PC interfaces. Additionally, you can choose a fieldbus interface over the exchangeable PCI board. The VPC219 combines the newest processor and interface technology within a compact unit.

### Your advantages:

- + resistive 8-wire touch system with non-reflection surface
- + spray water and dust proofed
- + support arm mountable (VESA 75)
- + Intel® Atom™ N270 (energy-saving - ultra low power)
- + connections for common peripherals devices available
- + fanless, therefore maintenance-free
- + front accessible interfaces: USB, RS232
- + individual front design
- + 2+1 LAN, perfect use for Ethernet based communication e.g. EtherCAT



Display	Screen size: 482 mm (19") Typ: TFT LCD Color active matrix
Resolution	1280 x 1024 pixel / 16.7 Mio.
CPU	Intel® Atom™ N270 (energy-saving - ultra low power)
Memory	SSD/ CF card/ HDD hard disk 2.5"
Fieldbus	Variable due to the optional PCI board
Network	2x 1 Gbit/s LAN (optional) plus 1x 100 MBit/s LAN for Ethernet communication
Front side access	2x USB, 1x COM
Rear access	VGA, 2x COM (RS232), 4x USB, Audio-Out, Line-In
Power supply	24 VDC
Temperature range	0 ° ... + 40 °C
Weight/support arm load (Vesa.)	15.7 kg



	Operating systems	Software
System packages	WinCE®/ WinXP®/ Win7®/ Linux	- CoDeSys Runtime - SoftSPS - SoftMotion - S5/ S7 - TwinCAT
		- WebVisu - TargetVisu

All rights reserved.

## The fanless control unit

The VPC219 is fanless and therefore a maintenance-free control unit. The modular design of the IPC allows you to react flexible to future requirements.

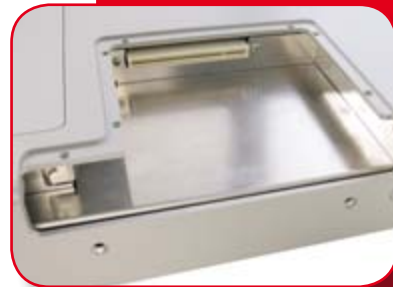
- ≡ changeable storage media
- ≡ free PCI slot
- ≡ UPS



## Modular



Memory slide-in unit



PCI slot



Dust protection



UPS - uninterruptable power supply  
(lithium ions accumulator)

# The VPC219

19" touch screen

## Display

The VPC series was particularly developed for the use in a rough industrial environment. With the screen size of 482 mm (19"), it is possible to show a various number of functions.

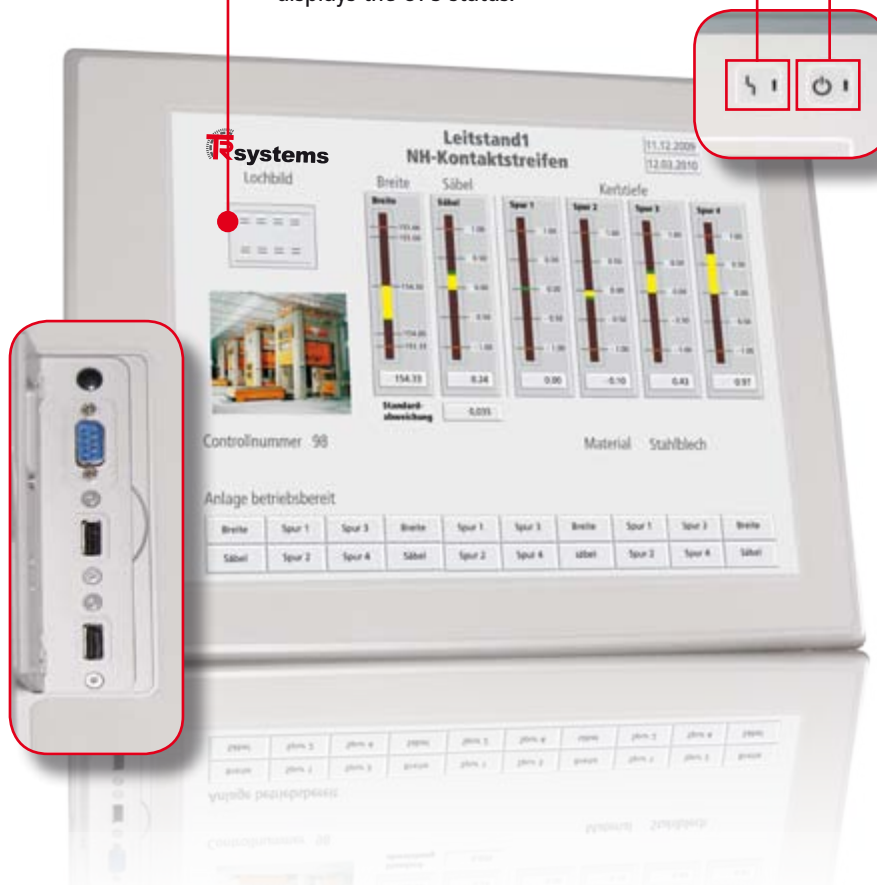
The touch screen and the non-reflection display surface with a view angle of 170° create a user friendly control panel.

## Operational state

- light - on / off

## UPS status display

- displays the UPS status.



## Smart interfaces, handy flap

The front side accessible interfaces (reset button, COM, USB) guarantee an optimal access.

The flap offers ideal protection for the interfaces and can be opened/locked without tools.

# Fanless industrial PC

## Functionality in compact form with mountable support arm

### Maintenance-free

Due to the compact and fanless design, the VPC is maintenance-free. With a protection class of IP54, the PC is dust and spray water proofed.

### UPS

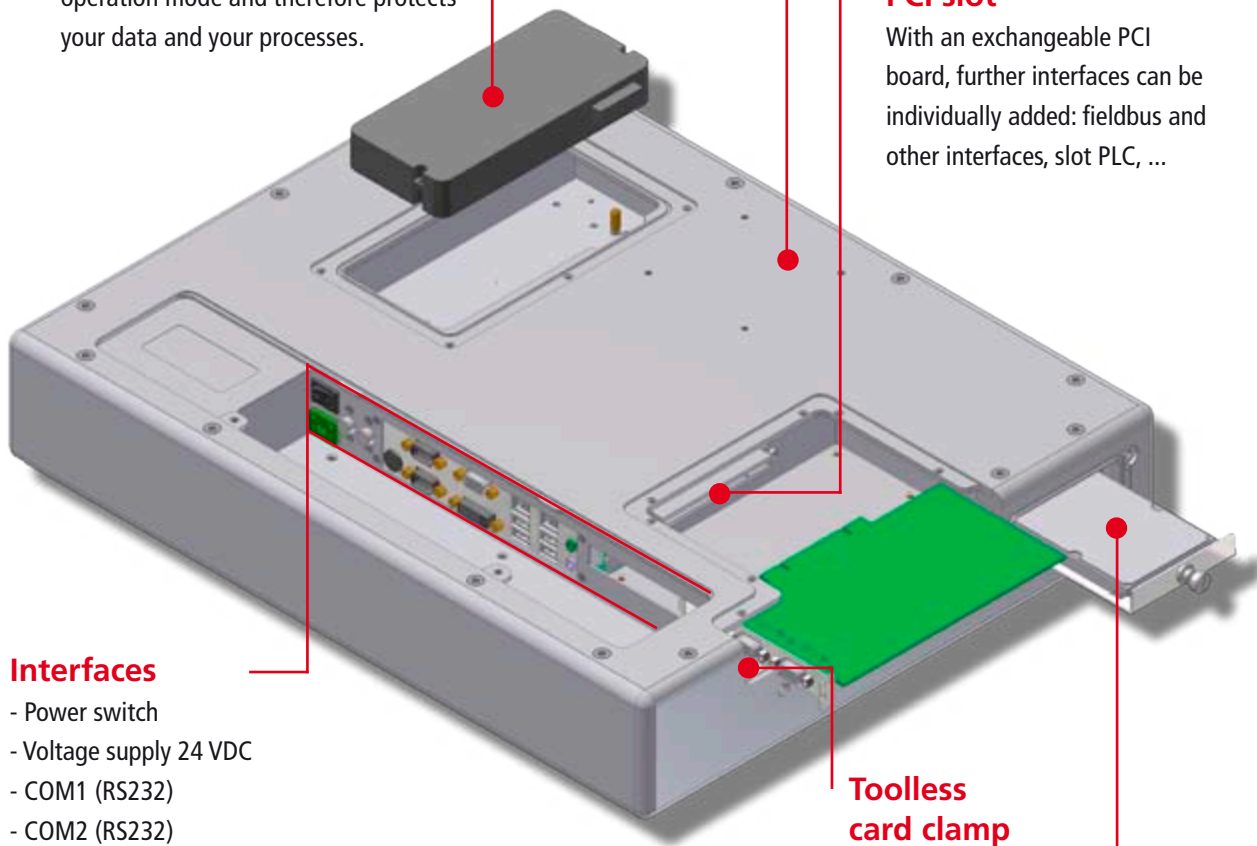
An integrated UPS (exchangeable battery pack) enables a stable operation mode and therefore protects your data and your processes.

### Support arm

The VPC219 can be easily mounted with a support arm - VESA 75.  
- For optimal handling and using comfort.

### PCI slot

With an exchangeable PCI board, further interfaces can be individually added: fieldbus and other interfaces, slot PLC, ...



### Interfaces

- Power switch
- Voltage supply 24 VDC
- COM1 (RS232)
- COM2 (RS232)
- VGA
- 2x LAN 1000 Mbit/s
- 1x 100 MBit/s LAN EtherCAT support
- 4x USB 2.0
- Audio Line Out, Line In

### Toolless card clamp

### Storage medium

The VPC219 has a side access to exchange storage media to stay flexible and meet the steady growing requirements.  
Solid state disk: middle memory capacity - shock and vibration resistant.  
Compact flash card: low memory capacity - shock and vibration resistant.  
SATA hard disk: high memory capacity

# Application areas of the VPC219

## The UPS

At voltage fluctuations, the integrated accumulator makes it possible to end critical control phases or to prevent data loss.



6

## Storage and logistics

Ideally usable as a compact terminal PC. With the 19" large, anti-reflection display you always have all functions at a glance and optimal visualization.



## Event technology

Due to its compact design, it fits in every place and it displays the complexity of stage technology in detail. With the individual front design you can individually integrate driving levers, emergency stop or cue keys.



## Renewable energy

Runtime and visualization applications, such as CoDeSys RT / WebVisu, optimal realize your control functions. For this, we use energy-saving processor technology.





## The Display

- ≡ touch screen
- ≡ screen size 482 mm (19")
- ≡ view angle 170°
- ≡ resolution 1280 x 1024 pixel with 16.7 Mio. colors
- ≡ non-reflection

7



## Polymer processing

Visualization directly at the machine. The VPC219 can be mounted with a support arm.



## Wood working

The VPC219 works reliably and maintenance-free despite strong temperature fluctuations and vibrations.



## Print technology and paper conversion

The lacquered aluminium housing and the foil front of the VPC219 are insensitive to dust (like cornflour, paper dust) and varnish surroundings (like varnish dusts, varnish vaporizations) as well as common solvents. It can be cleaned with non-abrasive cleaner.



Copyright by TRsystems. All rights reserved · 68-135-019 · TRS-V-PR-GB-0004 · Februar 2012.

**TRsystems GmbH**  
Eglishalde 16  
D-78647 Trossingen

Tel. +49 (0)7425 / 228-0  
Fax +49 (0)7425 / 228-34  
info@trsystems.de

[www.trsystems.de](http://www.trsystems.de)